

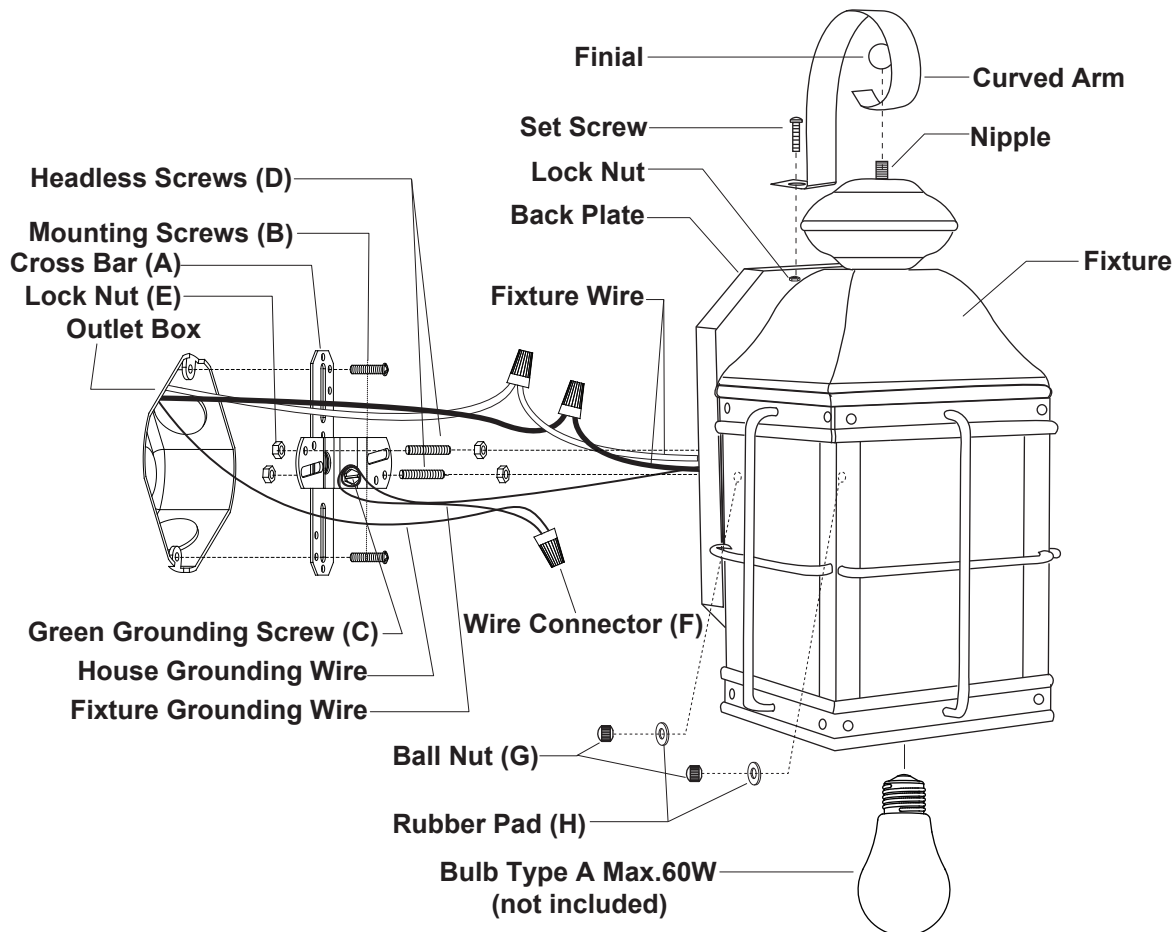
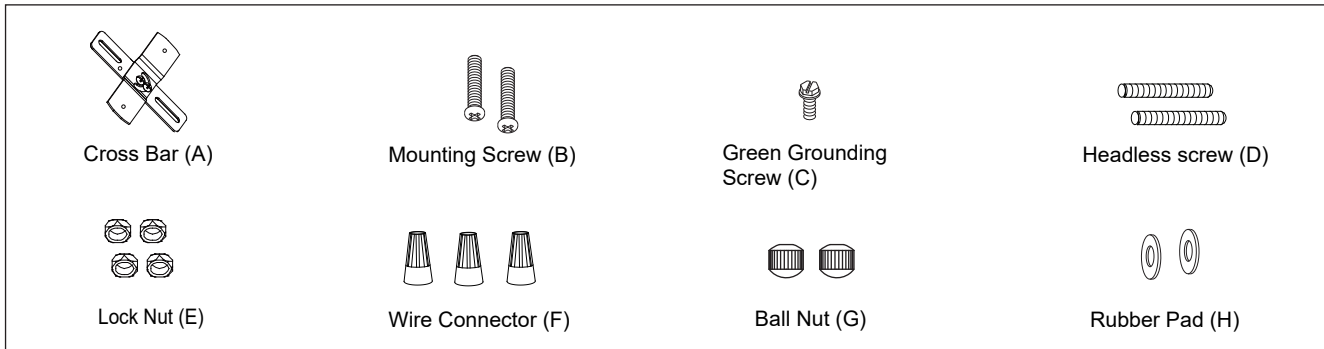
ASSEMBLY AND INSTALLATION INSTRUCTIONS

T0463

WARNING: TO AVOID RISK OF ELECTRICAL SHOCK, BE SURE TO SHUT OFF POWER WHILE INSTALLING OR SERVICING THIS FIXTURE.

NOTES: 1. Before installing, consult local electrical codes for wiring and grounding requirements.
2. READ AND SAVE THESE INSTRUCTIONS.

Hardware Package (included):



Installation Steps

Turn off the power at fuse or circuit box.

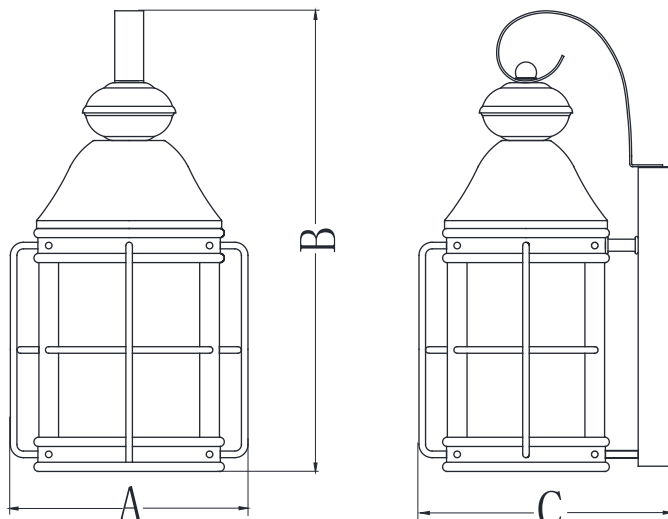
1. Thread two headless screws (D) through the cross bar (A), then secure them with four lock nuts (E) (two on each side of the cross bar). Adjust the length of the headless screws (D) if necessary.
2. Attach the cross bar (A) to the outlet box by using two mounting screws (B).
3. Slip the fixture and one end of the curved arm through the nipple and secure them with the finial. Then secure the other end of the curved arm to the back plate by using the set screw and lock nut.
4. Pull out the outlet wires and the house grounding wire from the outlet box. Make wire connections using the wire connectors (F):
 - Connect the black wire from the fixture to the black wire from the power source.
 - Connect the white wire from the fixture to the white wire from the power source.
 - Attach the fixture grounding wire to the cross bar with the green grounding screw (C). Then connect it to the house grounding wire with a wire connector (F).Carefully put the wires back into the outlet box.
5. Attach fixture to the wall by aligning headless screws (D) on cross bar (A) with holes on back plate. then secure it with two rubber pads (H) and two ball nuts (G).
CAUTION: With silicone caulking compound, caulk completely around where the back plate meets with the wall surface to prevent water from seeping into the outlet box.
6. Install a bulb (not included). See relamping label at socket area or packaging for maximum allowed wattage.

Turn on the power at fuse or circuit box.

The following parts are available for re-order if damaged or missing.

Spare Parts List:

Cross Bar (A)	Mounting Screw (B)	Green Grounding Screw (C)	Headless screw (D)	→ Mounting Hardware 6056MM (1SET)	
Lock Nut (E)	Wire Connector (F)	Ball Nut (G)	Rubber Pad (H)		
				Glass Shade 10072RG (2PCS)	Glass Shade 10073RG (2PCS)



A:7"
B:14-1/2"
C:7-3/4"