

# ASSEMBLY AND INSTALLATION INSTRUCTIONS

W0270

**WARNING:** TO AVOID RISK OF ELECTRICAL SHOCK, BE SURE TO SHUT OFF POWER BEFORE INSTALLING OR SERVICING THIS FIXTURE.

**NOTES:** 1. Before installing, consult local electrical codes for wiring and grounding requirements.  
2. READ AND SAVE THESE INSTRUCTIONS.

## Hardware Package (included):

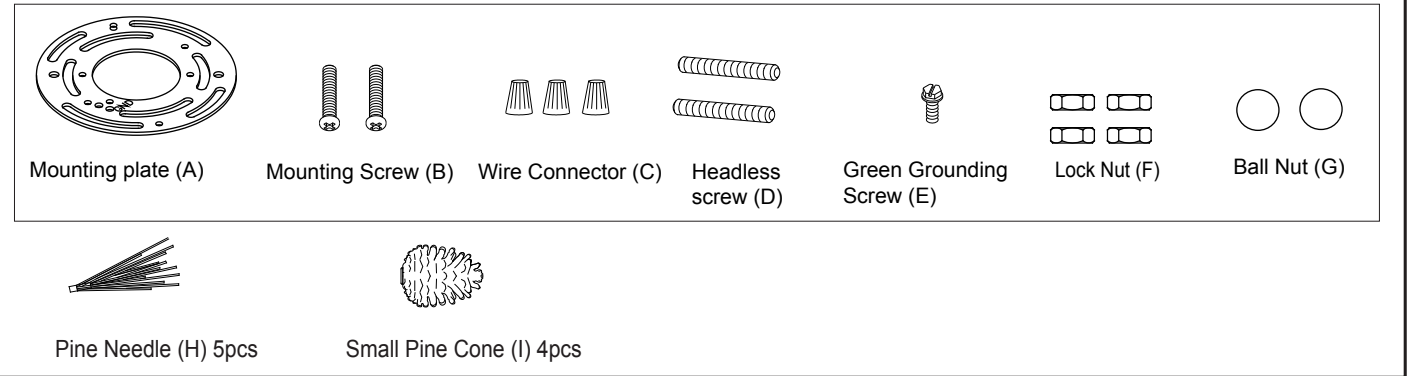
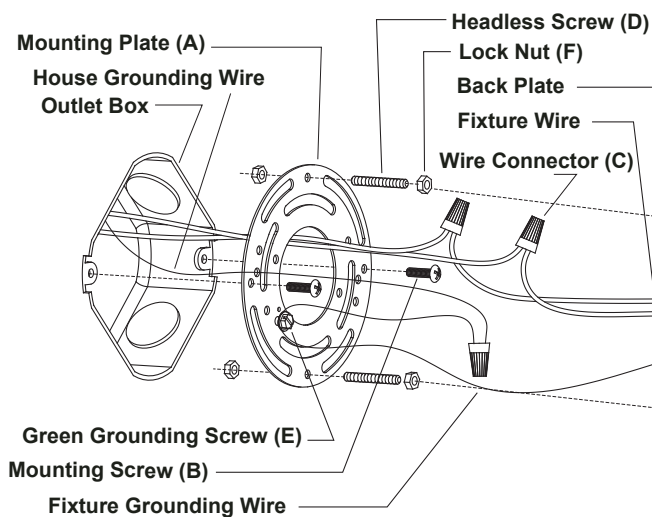
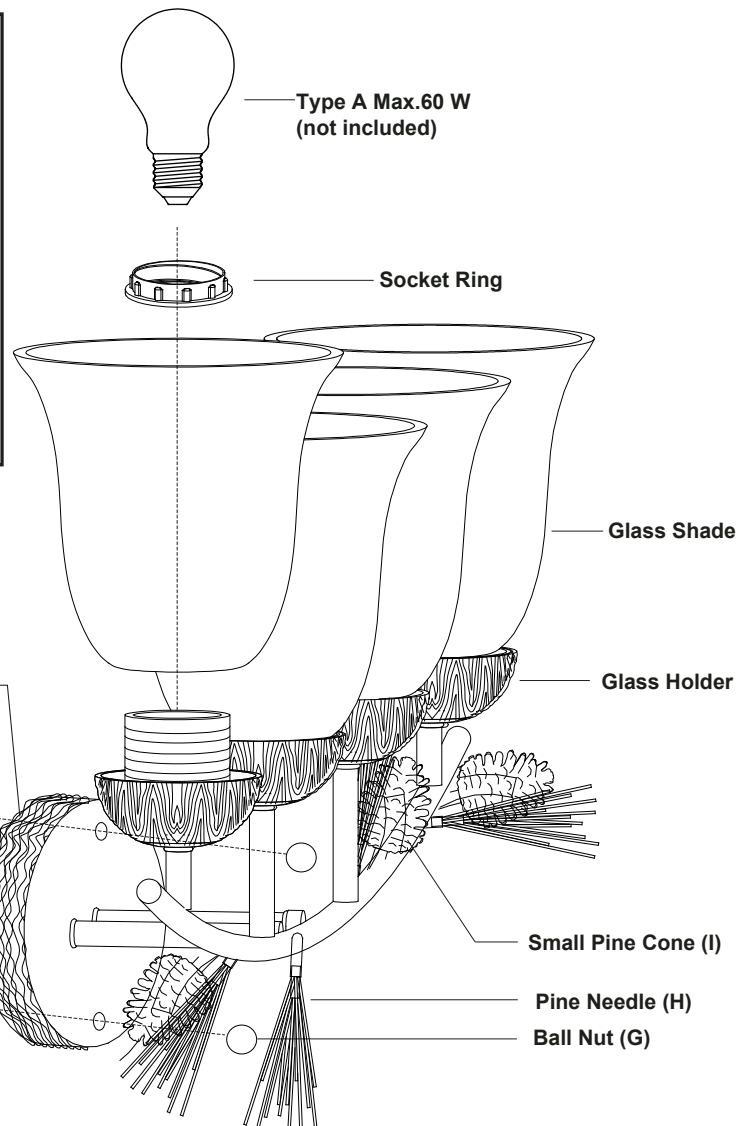
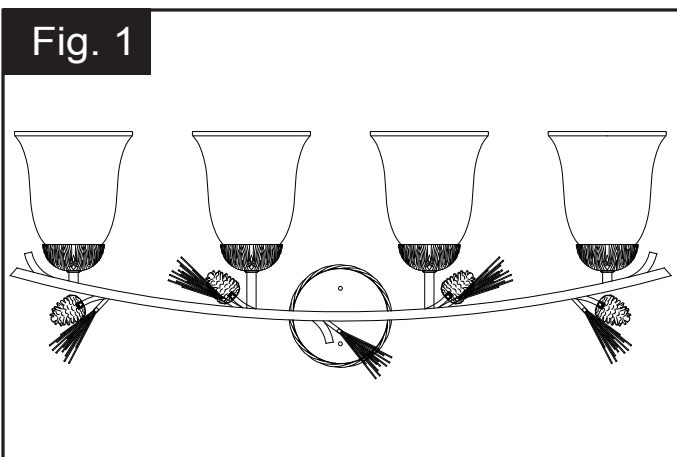


Fig. 1



## Installation Steps

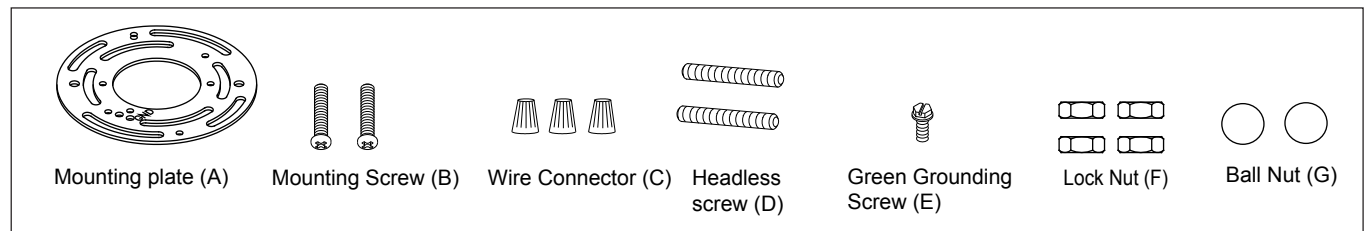
Turn off the power at fuse or circuit box

1. Thread two headless screws through the mounting plate, then secure them with four lock nuts (two on each side of the mounting plate). Adjust the length of the headless screws if necessary.  
Note: Make sure that the headless screws are lined up horizontally, in order to ensure that the fixture will be level.
2. Attach the mounting plate to the outlet box by using two mounting screws.
3. Pull out the source wires from the outlet box. Make wire connections using wire connectors as follows:
  - Connect the hot wire (usually black insulation) from the fixture to the black wires from the power source.
  - Connect the neutral wire (usually white insulation) from the fixture to the white wires from the power source.
  - Attach the fixture grounding wire (usually green insulation or bare wire) to the mounting plate with the green grounding screw, and then connect it to the house grounding wire with the wire connector.
 Carefully put the wires back into the outlet box.
4. Attach the back plate to the mounting plate by inserting the headless screw, then secure it with the two ball nuts.
5. Secure the small pine cones (I) and pine needles (H) onto the fixture as shown in graph. (See Fig.1)
6. Attach the glass shades onto the glass holder and tighten it with the socket rings.
7. Install bulbs (not included). Check relamping label at socket area or packaging for maximum allowed wattage.

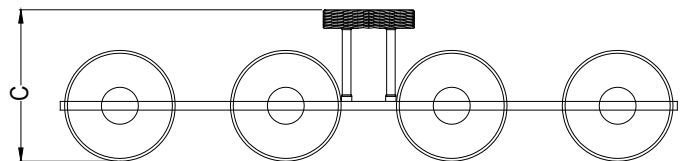
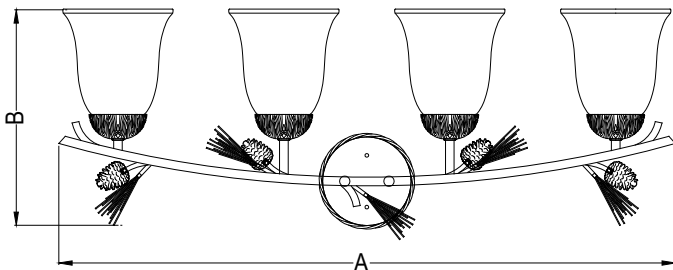
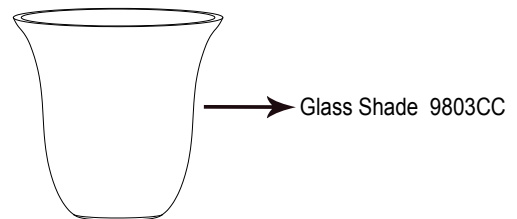
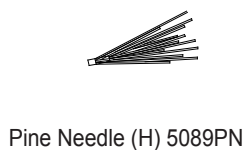
Turn on the power at fuse or circuit box

The following parts are available for re-order if damaged or missing.

### Spare Parts List:



Mounting Hardware 5774MM (1 SET)



A: 33"

B: 11-1/2"

C: 8"